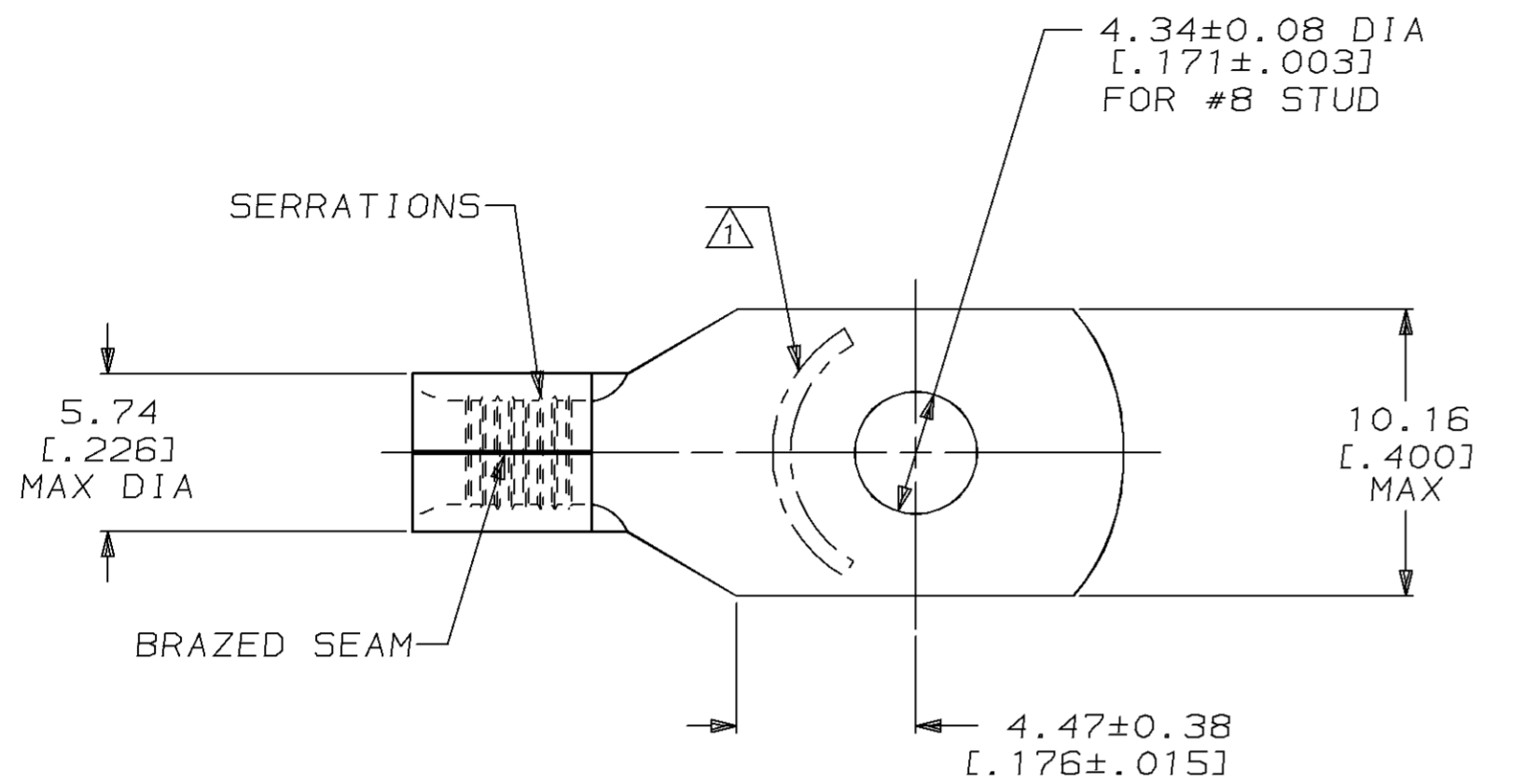


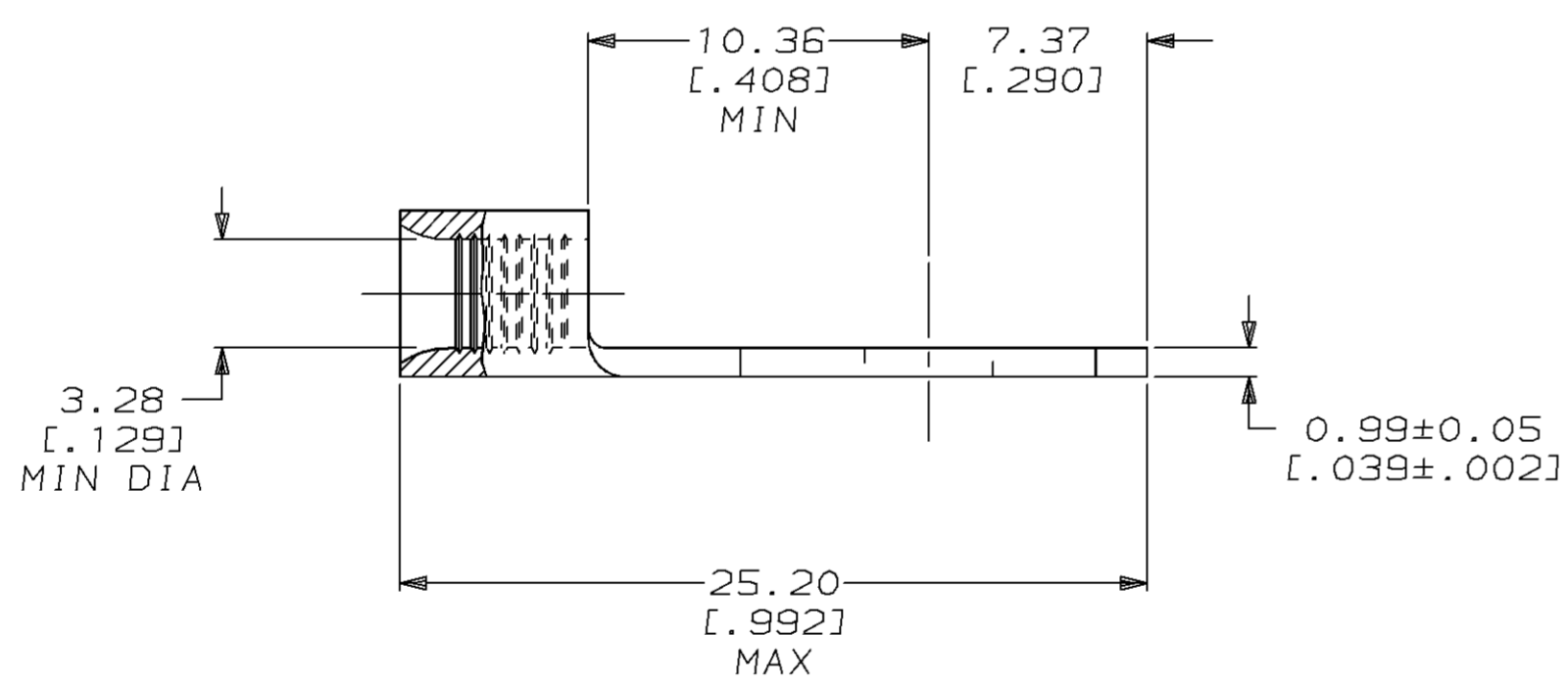
| LOC | DIST | P | F | ZONE | LTR | DESCRIPTION | DATE | APPD |
|-----|------|---|---|------|-----|--------------------------|---------|---------|
| G | 14 | | | | C | REVISED PER 0720-0121-94 | 21JUL94 | OKS DAP |

METRIC
 DIMENSIONS LISTED IN mm [INCHES]



| | |
|--------------------------------|----------------------------|
| AMP WIRE RANGE | UL E13288 Listed |
| 12-10 AWG SOLID OR STRANDED | 12-10 AWG STRANDED |
| SR LR7189 Certified | MILITARY P/N AND CLASS |
| 12-10 AWG SOLID OR STRANDED | NOT APPLICABLE |

△ STAMP AMP 12-10* APPROX AS SHOWN



| | | | | | | |
|--|--|---|--|--|--|--|
| AMP INCORPORATED CUSTOMER SERVICE SYSTEMS | | MAX RECOMMENDED OPERATING TEMPERATURE: 170°C MAX | DO NOT SCALE PRINT. UNLESS SPECIFIED DIMENSIONS IN mm [INCHES] TOLERANCES ON: 2 PLC DEC ± 0.13 [.005] 3 PLC DEC ± - ANGLES ± - | DR 6-17-93 TA BRINKMAN CHK 6-17-93 DA PATTERSON APPD 6-17-93 DE MILLER APPD 6-17-93 JL MECKLEY PRODUCT SPEC - | 55782-1 PART NO | |
| FOR ADDITIONAL PRODUCT INFORMATION OR COPIES OF DRAWINGS AND TECHNICAL DOCUMENTS | PRODUCT INFORMATION CENTER 1-800-522-6752 | VOLTAGE RATING: NOT APPLICABLE | MATERIAL COPPER PER ASTM B-152 ANNEALED | AMP Incorporated Harrisburg, PA 17105-3608 | NAME TERMINAL, RECTANGULAR TONGUE, SOLISTRAND™ | |
| FOR APPLICATION TOOLING INFORMATION | TOOLING ASSISTANCE CENTER 1-800-722-1111 | WIRE CROSS SECTIONAL AREA RANGE: 2.62-6.64mm ² [5,180-13,100] CIR MILS SOLID OR STRANDED | FINISH TIN PLATE 0.00254 [0.000100] MIN THK PER MIL-T-10727 | APPLICATION SPEC - | | SIZE C 00779 DRAWING NO G=55782 |
| FOR ORDER ENTRY | 1-800-526-5142 | THIS DRAWING IS A CONTROLLED DOCUMENT FOR AMP INCORPORATED. IT IS SUBJECT TO CHANGE AND THE CONTROLLING ENGINEERING ORGANIZATION SHOULD BE CONTACTED FOR THE LATEST REVISION. | DR 6-17-93 TA BRINKMAN CHK 6-17-93 DA PATTERSON APPD 6-17-93 DE MILLER APPD 6-17-93 JL MECKLEY PRODUCT SPEC - | WEIGHT 2.74 GRAMS | | SCALE 4:1 SHEET 1 OF 1 |