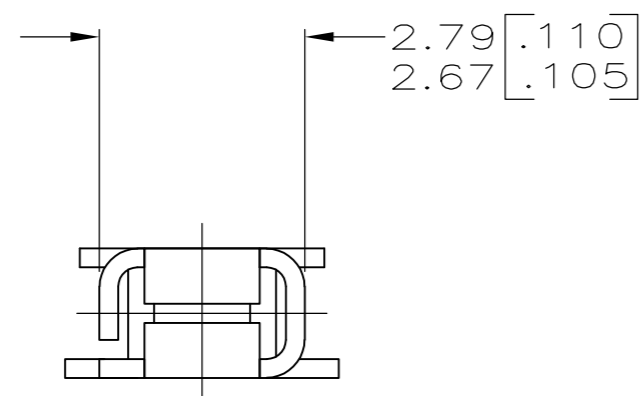
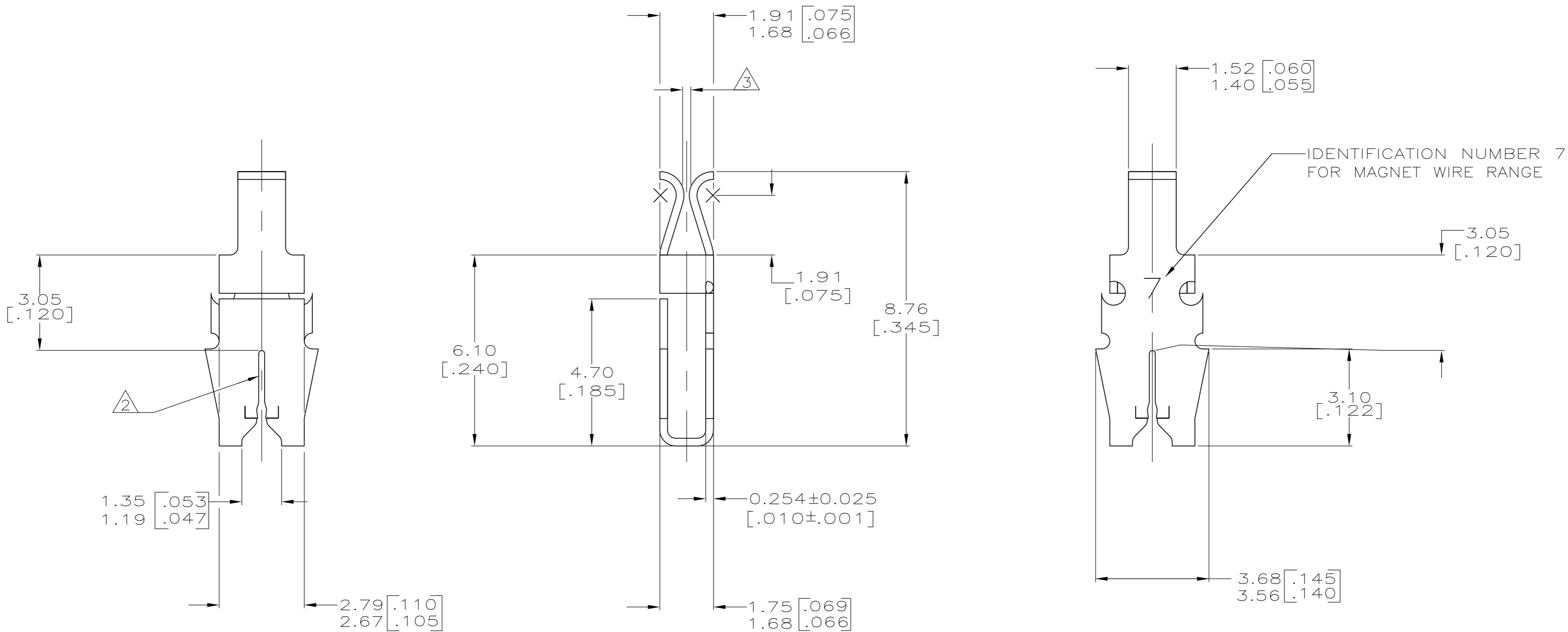


THIS DRAWING IS UNPUBLISHED. RELEASED FOR PUBLICATION
 © COPYRIGHT - By - ALL RIGHTS RESERVED.

LOC	DIST	REVISIONS			
P	LTR	DESCRIPTION	DATE	DWN	APVD
AF	50				
	A	REVISED PER ECR-11-021811	16NOV11	KH	KR



- 1 TERMINALS SUPPLIED IN LOOSE PIECE
- 2 SLOT ACCEPTS EITHER A SINGLE OR DOUBLE MAGNET WIRE OF THE SAME SIZE AND TYPE. COPPER RANGE: 0.25-0.32mm [#30-#28] AWG.
- 3 FITS A 0.508±0.025 [.020±.001] THICK TAB.
- 4 PREPRODUCTION - FASR REQUIRED



1742910-1
PART NUMBER

THIS DRAWING IS A CONTROLLED DOCUMENT.		DWN JR RUTH 02AUG11	TE Connectivity	
DIMENSIONS: mm [INCHES]		CHK KURT A. RANDOLPH 02AUG11	RECEPTACLE, TAB, MAG-MATE,™ LOOSE PIECE	
TOLERANCES UNLESS OTHERWISE SPECIFIED:		APVD KURT A. RANDOLPH 02AUG11	NAME	
0 PLC ± -		PRODUCT SPEC	108-2012	
1 PLC ± -		APPLICATION SPEC	97-1039-190	
2 PLC ± 0.25[.010]		SIZE	CAGE CODE	DRAWING NO
3 PLC ± -		A2	00779	C=1742910
4 PLC ± -		WEIGHT	RESTRICTED TO	
ANGLES ± -				
MATERIAL H04 PHOS. BRONZE	FINISH 0.002032[.000080] MIN TIN PLATE	CUSTOMER DRAWING		
		SCALE	SHEET	REV
		10:1	1 of 1	A