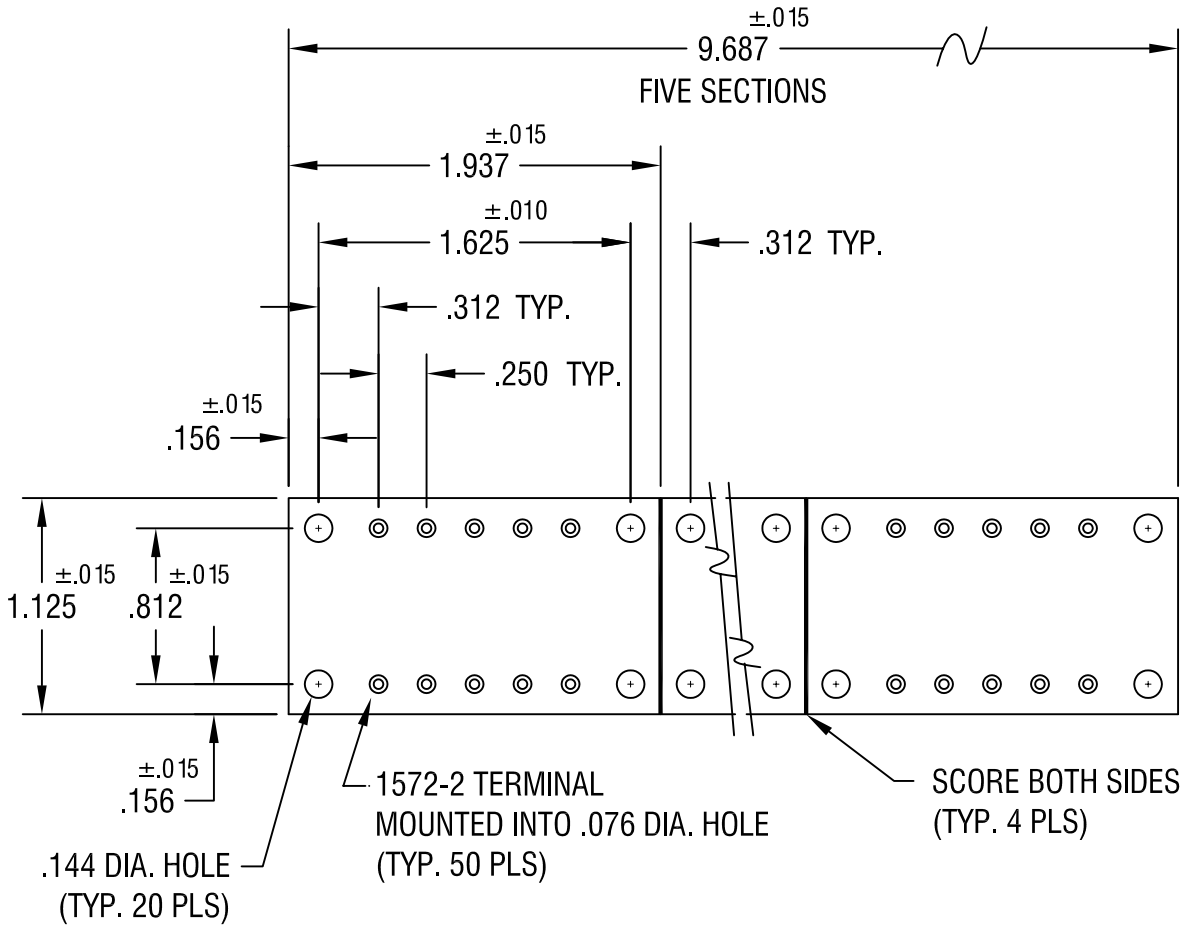


THIS DOCUMENT IS THE PROPERTY OF
KEYSTONE ELECTRONICS CORP. AND
SHALL NOT BE REPRODUCED, DISTRIBUTED
OR USED AS A BASIS FOR MANUFACTURE
WITHOUT PRIOR WRITTEN PERMISSION
FROM KEYSTONE ELECTRONICS CORP.



KEYSTONE ELECTRONICS CORP.			
ASTORIA, N.Y. 11105-2017			
PART NAME			
MINIATURE TURRET TERMINAL BOARD			
MATERIAL			
.062 TH'K PHENOLIC			
FINISH		DRN BY	DATE
AS NOTED		BOONE	12.18.06
		APP'D	SCALE
		LN	1X
TOLERANCES		DWG NO.	
DECIMAL	INCH [MM]	15049	
ANGULAR	$\pm .005$ [\pm]		
UNLESS OTHERWISE SPECIFIED		C/M	

DATE	DESCRIPTION	REV.