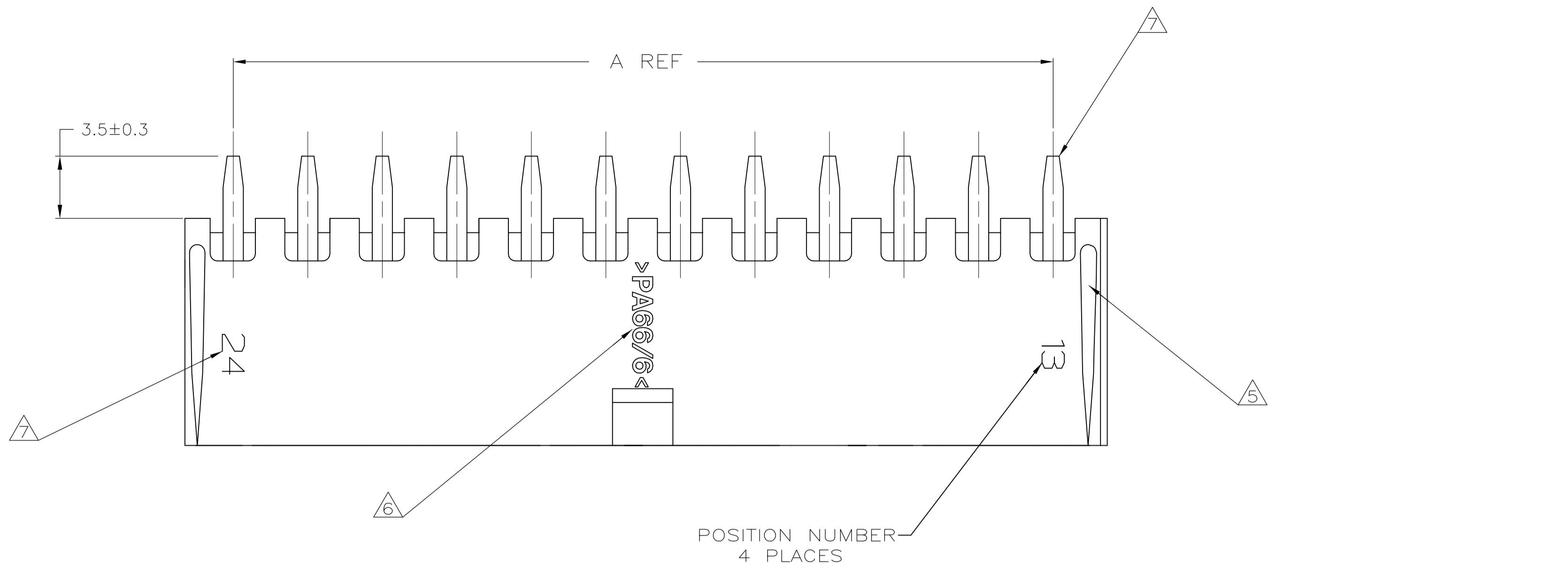
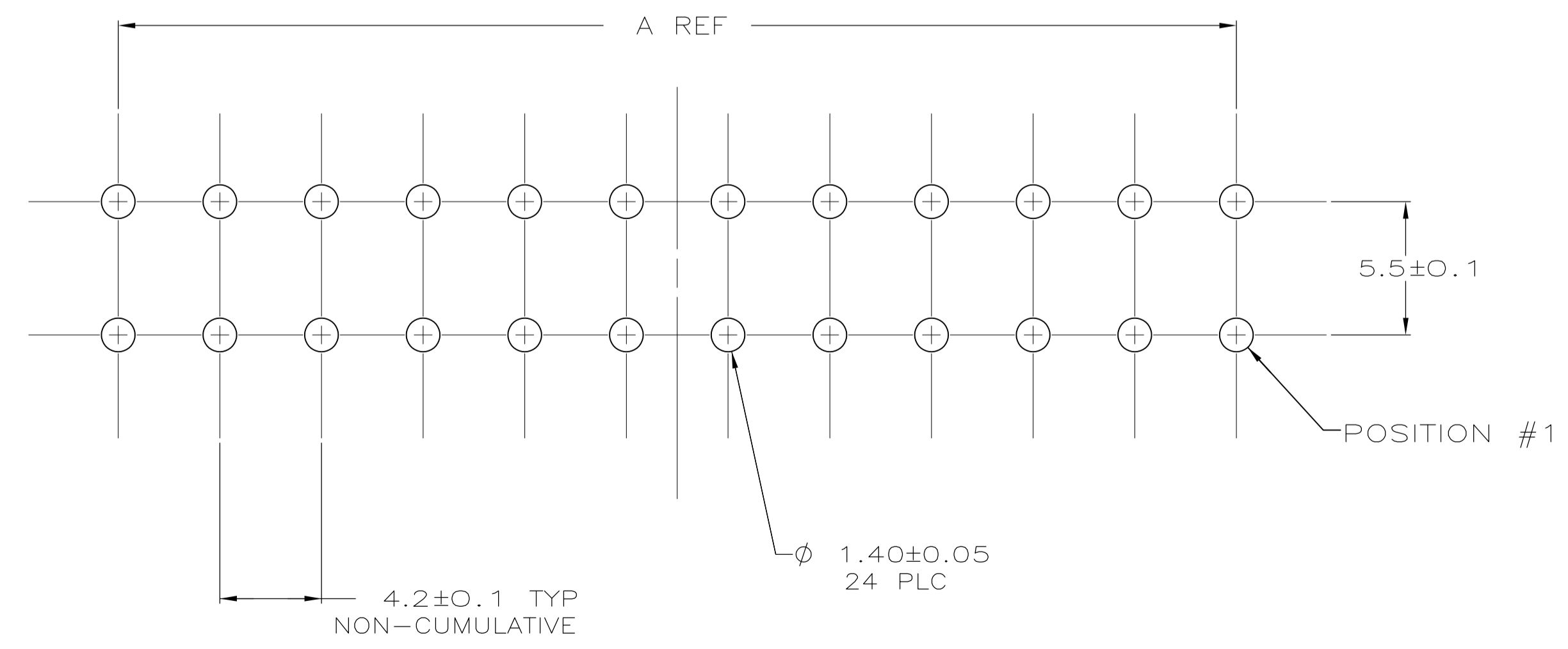
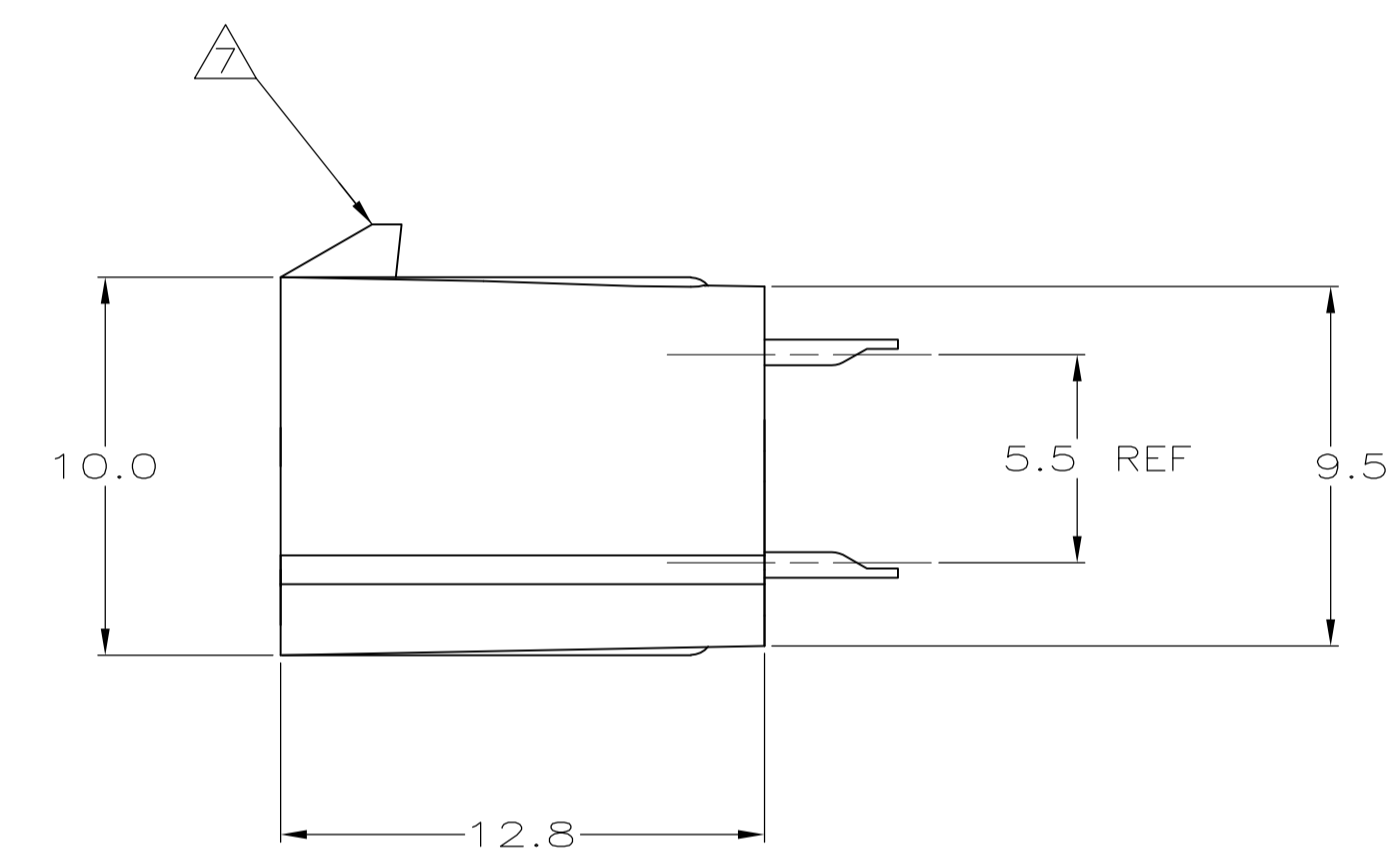
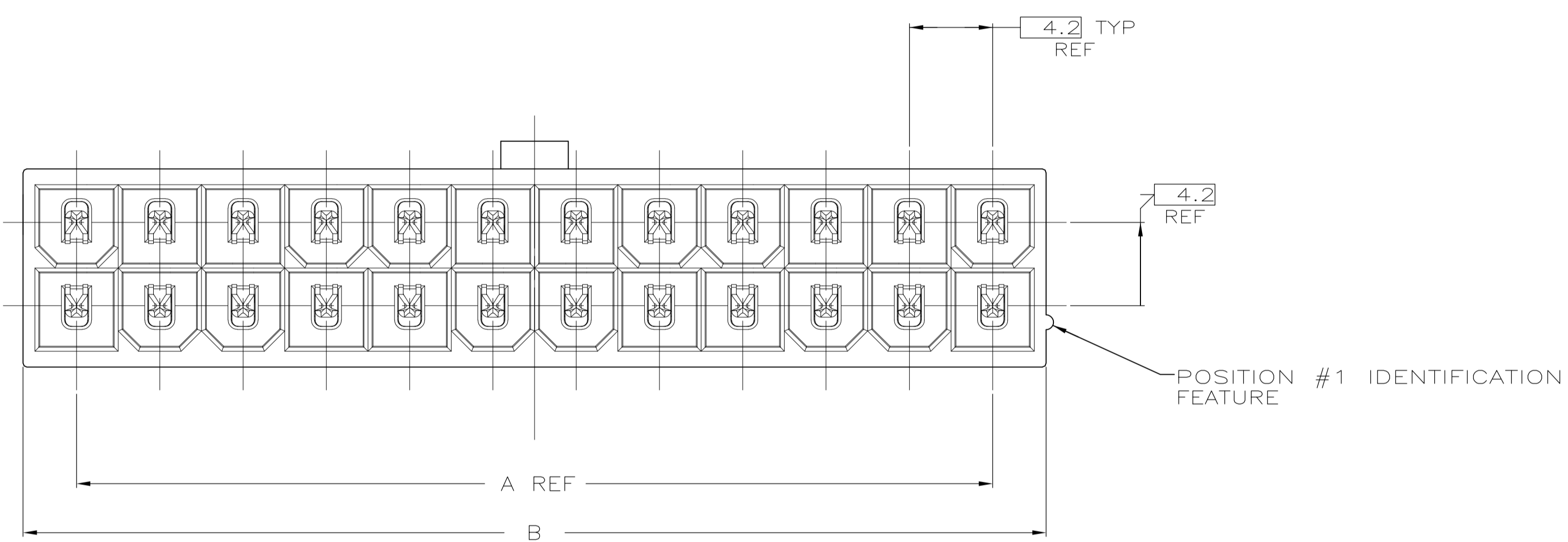


LOC		DIST		REVISIONS			
CM	00	REV	DATE	BY	CHK	APP	REV
0		REVIS	PER 063B-1111-04	21JUN05	KW	DC	
01		REVIS	PER ECO-09-024927	06NOV09	KK	AEG	



- △ MATERIAL: HOUSING - NYLON, UL94V-0 (COLOR - WHITE, COLOR OF PARTS MAY VARY). CONTACTS - 0.25 THK COPPER ALLOY.
- △ CONTACT FINISH: 0.00076 MIN THK GOLD PLATE ON PIN MATING SURFACE, 0.003 MIN THK TIN PLATE ON SOLDER TAIL, ALL OVER 0.00127 MIN THK NICKEL BASE PLATE.
- 3. SOLDER TAIL MEETS AMP SOLDERABILITY SPECIFICATION 109-11-2.
- 4. MATES WITH SIMILARLY PLATED AMP-DUAC™ POWER CONNECTOR RECEPTACLE HOUSINGS/SOCKET CONTACTS.
- △ RIBS ON FOUR CORNERS OPTIONAL.
- △ AMP LOGO AND MATERIAL ID MAY BE LOCATED ON EITHER LONG SIDE OF PART.
- △ SIZE, SHAPE OR STYLE OF THIS FEATURE MAY VARY.
- △ OBSOLETE PARTS: OBSOLETE CIS STREAMLINING PER D.RENAUD/D.SINISI



RECOMMENDED MOUNTING HOLE PATTERN FOR 1.78 MAX THICK P.C. BOARD COMPONENT SIDE SHOWN

	51.6	46.2	24	2-1586496-4
OBSOLETE △	47.4	42.0	22	2-1586496-2
	43.2	37.8	20	2-1586496-0
OBSOLETE △	39.0	33.6	18	1-1586496-8
	34.8	29.4	16	1-1586496-6
OBSOLETE △	30.6	25.2	14	1-1586496-4
	26.4	21.0	12	1-1586496-2
OBSOLETE △	22.2	16.8	10	1-1586496-0
	18.0	12.6	8	1586496-8
	13.8	8.4	6	1586496-6
	9.6	4.2	4	1586496-4
	5.4	0.0	2	1586496-2
	B	A	NO. OF POSITIONS	PART NO

THIS DRAWING IS A CONTROLLED DOCUMENT.

DIMENSIONS: mm	TOLERANCES UNLESS OTHERWISE SPECIFIED:	0 PLC ± -	1 PLC ± 0.2	2 PLC ± 0.13	3 PLC ± -	4 PLC ± -	ANGLES ± 0°30'
----------------	--	-----------	-------------	--------------	-----------	-----------	----------------

MATERIAL 1 FINISH 2

THIS DRAWING IS A CONTROLLED DOCUMENT. DWG: K. WHITAKER 21JUN2005. CHK: D. COLEY 21JUN2005. APP'D: D. COLEY 21JUN2005. NAME: D. COLEY. Tyco Electronics Corporation, Harrisburg, Pa 17105-3608.

PRODUCT SPEC: 108-1699. APPLICATION SPEC: -.

SIZE: A1. CAGE CODE: 00779. DRAWING NO: C=1586496. RESTRICTED TO: -.

WEIGHT: -. CUSTOMER DRAWING. SCALE: 5:1. SHEET: 1 OF 1. REV: 01.

