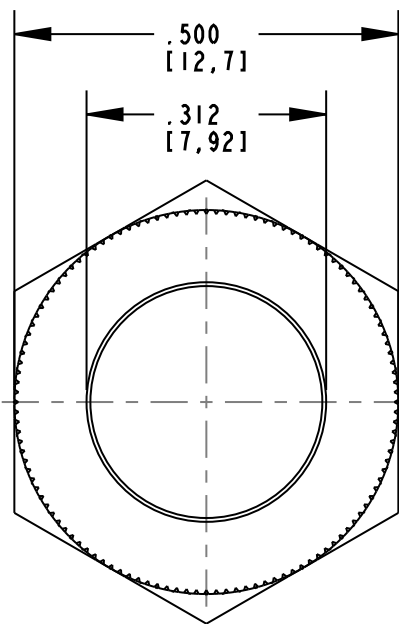
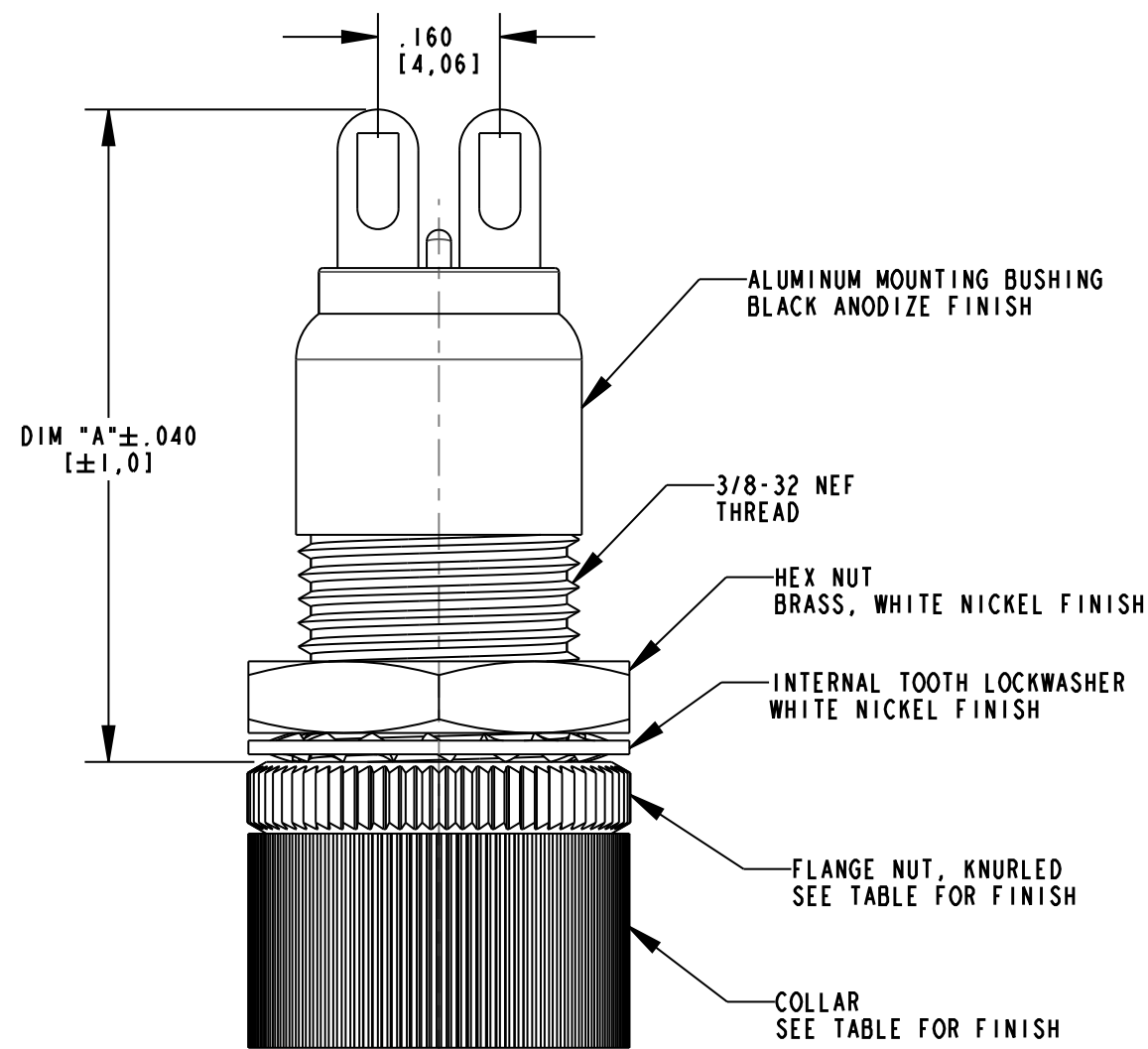


DIALIGHT PART NUMBER	DIM "A"	TERMINAL TYPE	COLLAR & FLANGE NUT FINISH
508-7438-504	.865 [21,74]	FIG. 1	BLACK ANODIZE
508-7438-604	.865 [21,74]	FIG. 1	CLEAR ANODIZE
508-7445-504	.942 [23,92]	FIG. 1	BLACK ANODIZE
508-7445-604	.942 [23,92]	FIG. 1	CLEAR ANODIZE
508-7538-504	.834 [21,18]	FIG. 2	BLACK ANODIZE
508-7538-604	.834 [21,18]	FIG. 2	CLEAR ANODIZE
508-7545-504	.920 [23,37]	FIG. 2	BLACK ANODIZE
508-7545-604	.920 [23,37]	FIG. 2	CLEAR ANODIZE
508-8738-504	.848 [21,54]	FIG. 3	BLACK ANODIZE
508-8738-604	.848 [21,54]	FIG. 3	CLEAR ANODIZE
508-8745-504	.934 [23,72]	FIG. 3	BLACK ANODIZE
508-8745-604	.934 [23,72]	FIG. 3	CLEAR ANODIZE

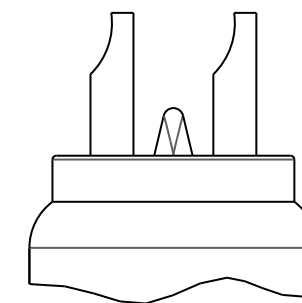


**FIG.1 - SOLDER BLADE TERMINALS**

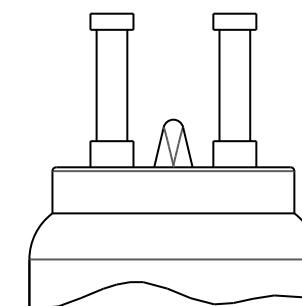
**NOTES:**

1. DIALIGHT PART NUMBERS: 508-74XX-504, 508-74XX-604, 508-75XX-504, 508-75XX-604, 508-87XX-504 & 508-87XX-604.
2. MAXIMUM PANEL THICKNESS: .156"
3. RECOMMENDED MOUNTING HOLE SIZE: .380±.002".

REV	ECN NO	REVISIONS	DRN	CKD	APP	DATE
A		NEW RELEASE	AJF	KLJ	NO	12-20-10



**FIG.2 - SOLDER CUP TERMINALS**



**FIG.3 - TURRET TERMINALS**

THIS DRAWING AND THE CONTENTS HEREIN ARE CONFIDENTIAL AND THE SOLE PROPERTY OF DIALIGHT. REPRODUCTION OF THIS DRAWING OR CONSTRUCTION OF ANY PARTS WITHIN THIS DRAWING ARE FORBIDDEN WITHOUT THE WRITTEN CONSENT OF DIALIGHT.

SCALE: 4.000	DRAWING NUMBER	REV
ALL DIM'S IN: INCHES (MM)	C-17895	A
TOLERANCES: UNLESS OTHERWISE SPECIFIED	TITLE	
FRACTIONS: ±1/64	508 SERIES	
DECIMALS (.XX): ±.01	DATALAMP HOLDER	
DECIMALS (.XXX): ±.005	MATERIAL	
DECIMALS (.XXXX): ±.0005	Dialight	
ANGLES: ±1°	1501 ROUTE 34 SOUTH	
FINISH:	FARMINGDALE, NJ 07727	
FSCM 83330	SHEET 1 OF 1	FAMILY TABLE: