

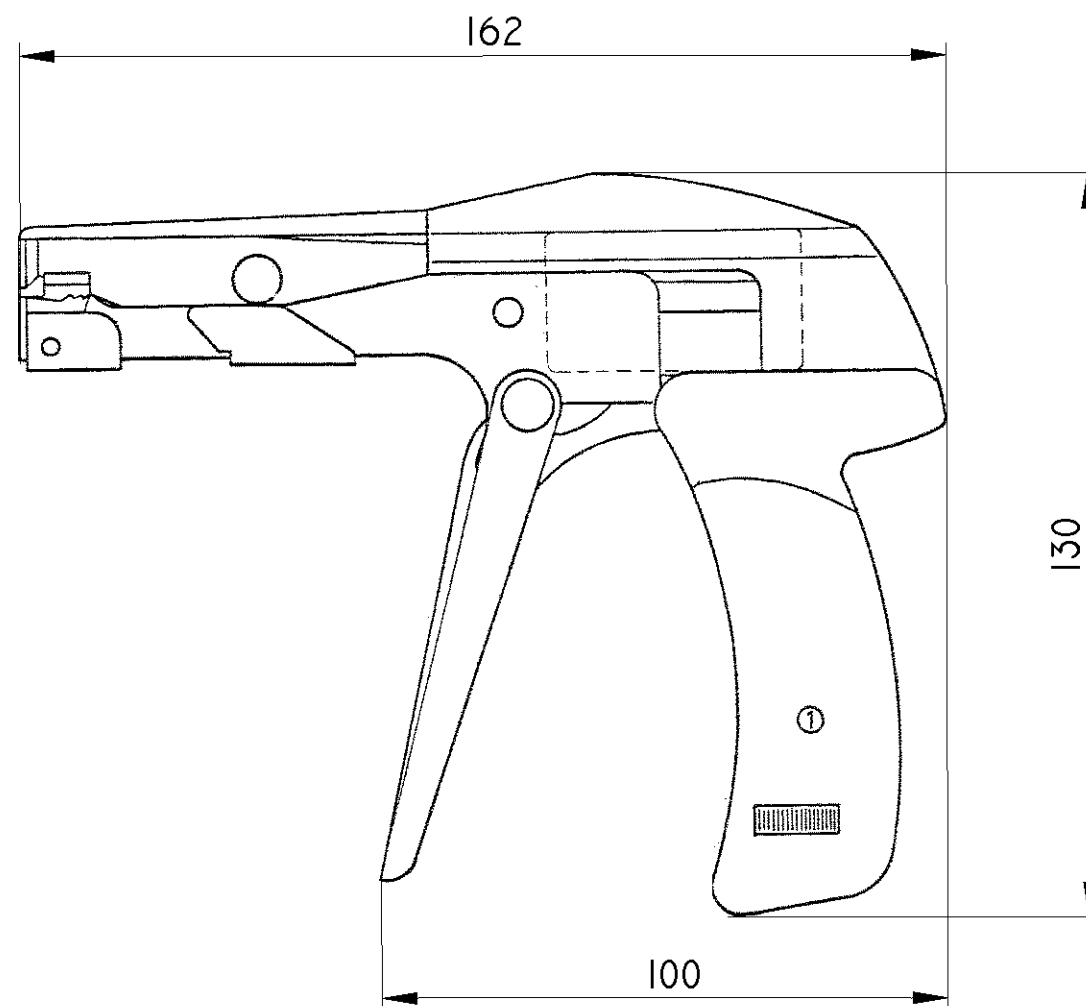
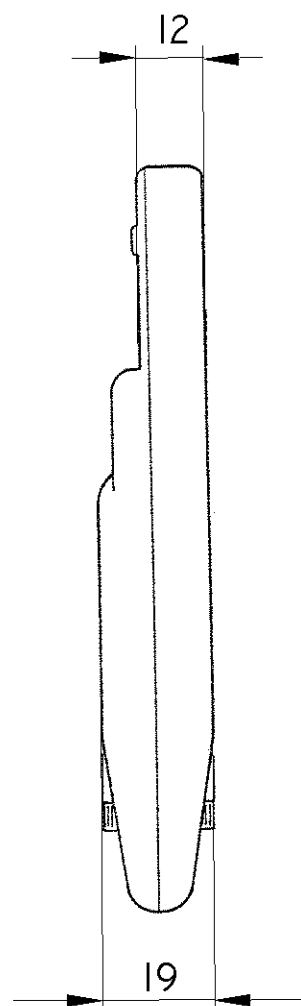
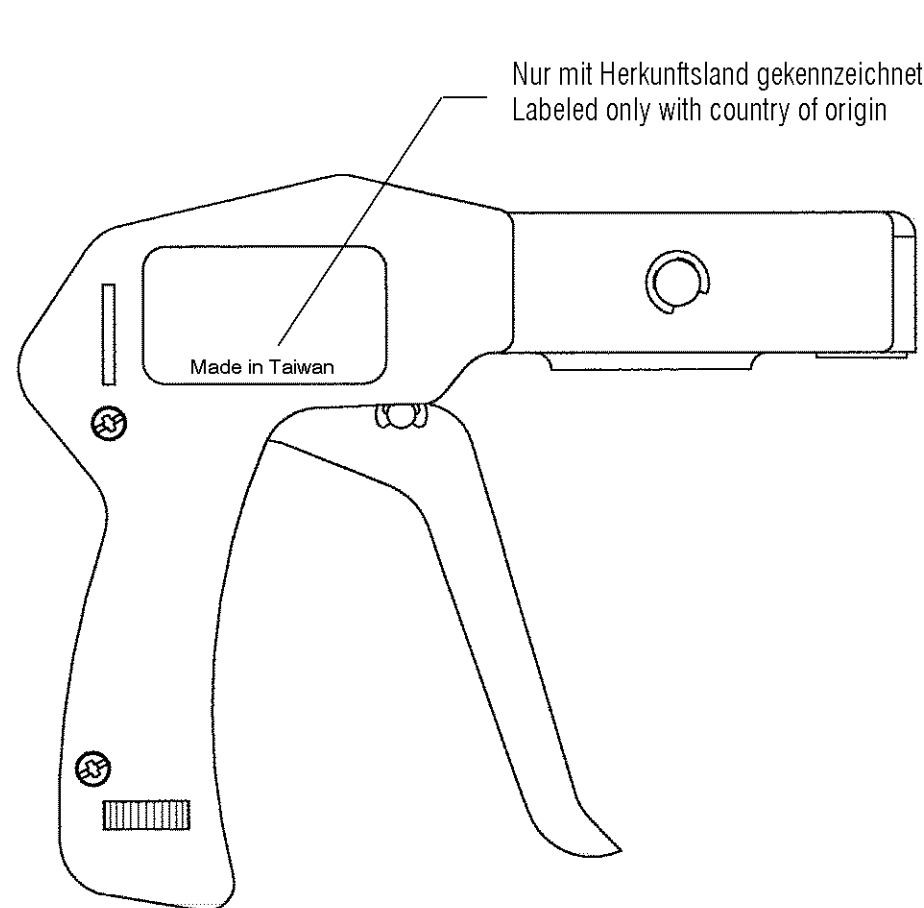
THIS DRAWING IS UNPUBLISHED. RELEASED FOR PUBLICATION 2007  
 © COPYRIGHT 2007 BY TYCO ELECTRONICS CORPORATION. ALL RIGHTS RESERVED.

LOC	DIST	REVISIONS			
P	LTR	DESCRIPTION	DATE	DWN	APVD
A1	-				

# CABLE TIE INSTALLATION HAND TOOL HANDZANGE FÜR KABELBINDER

Für Kabelbinder von 2,2 bis 4,8 mm Breite und  
 Kabelbündeldurchmesser von 1,5 mm min. bis 101,6 mm max.  
 Handzange für Kabelbinder wie unten aufgelistet, verwendbar

For cable ties from 2,2 to 4,8 width and  
 cable bundle diameter 1,5 mm min. to 101,6 mm max.  
 Tool suitable to apply cable ties as listed below



Cable Ties Tyco Electronics PN
603230
603231
604771
608701
608687
603227
608687
604476
608688
608698
608692
608699
608702
608704
608789
608700
604751
608703
604774
608695
608696

Handzange im Karton (170 x 135 x 23 mm) mit Bedienungsanleitung 411-18477 verpackt  
 Hand tool packed in a cardboard (170 x 135 x 23 mm) with instruction sheet 411-18477

<small>THIS DRAWING IS A CONTROLLED DOCUMENT FOR TYCO ELECTRONICS CORPORATION          IT IS SUBJECT TO CHANGE AND THE CONTROLLING ENGINEERING ORGANIZATION          SHOULD BE CONTACTED FOR THE LATEST REVISION.</small>		DWN Ch.Witt 18OCT2007 CHK - APVD - PRODUCT SPEC - APPLICATION SPEC - WEIGHT 315 g		<b>Tyco Electronics</b> Tyco Electronics AMP GmbH 64625 Bensheim (Germany)	
DIMENSIONS: mm 		TOLERANCES UNLESS OTHERWISE SPECIFIED: 0 PLC ± 1 PLC ± 2 PLC ± 3 PLC ± 4 PLC ± ANGLES ±1° MATERIAL - FINISH -		NAME <b>CABLE TIE TOOL</b> Handzange fuer Kabelbinder	
		SIZE A3	CAGE CODE 00779	DRAWING NO C-4-1579002-9	RESTRICTED TO -
CUSTOMER DRAWING			SCALE 1:1	SHEET 1 OF 1	REV A