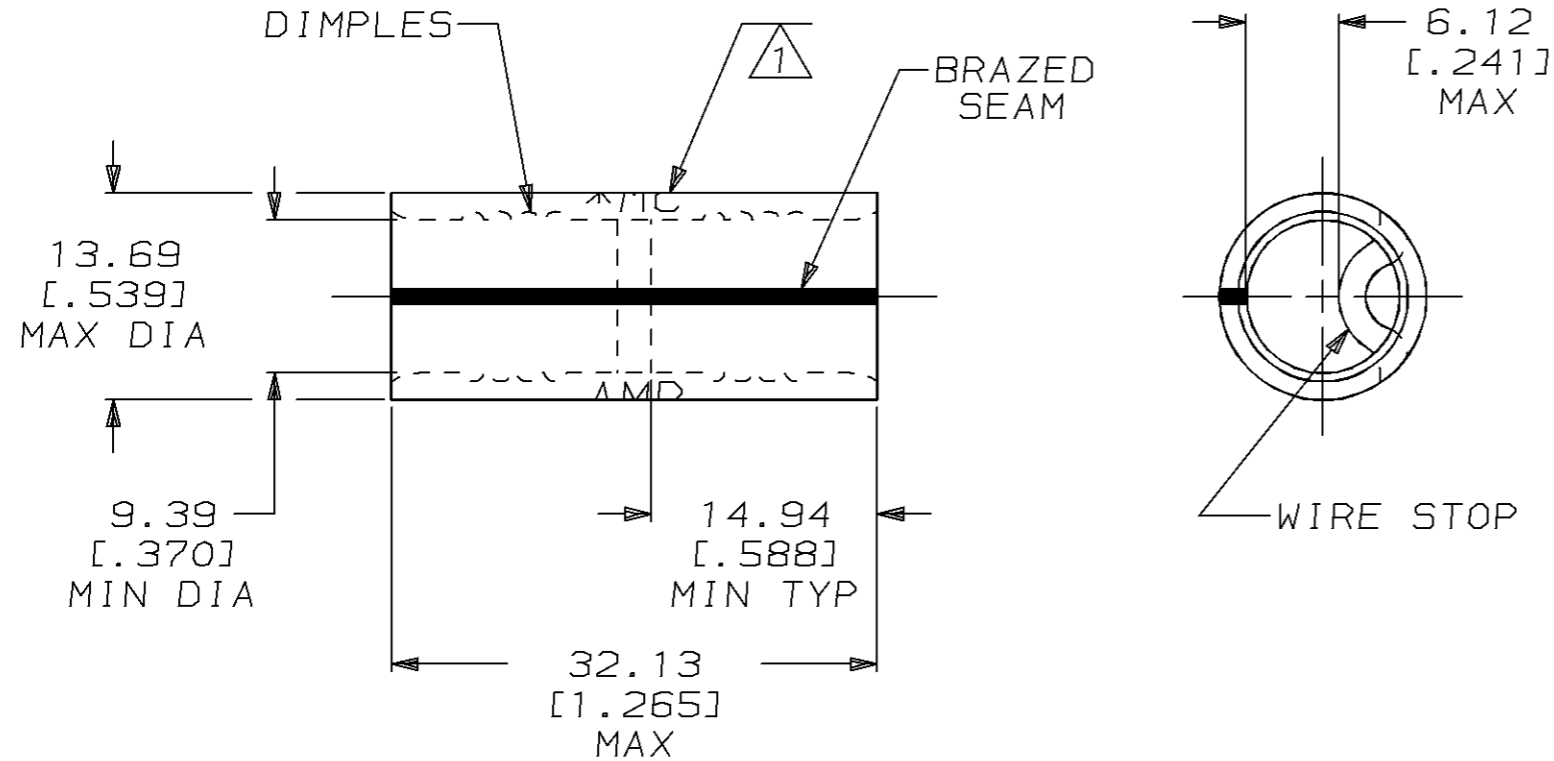


THIS DRAWING IS UNPUBLISHED. RELEASED FOR PUBLICATION, 19 .  
 © COPYRIGHT 19 BY AMP INCORPORATED. ALL INTERNATIONAL RIGHTS RESERVED.

LOC	DIST	P	F	REVISIONS				
G	14			ZONE	LTR	DESCRIPTION	DATE	APPD
					K	REVISED PER 0L20-0045-97	24MAR97	JKS CHK

AMP PART NUMBER	PACKAGE TYPE	QTY
8-35189-3	LOOSE PIECE, BOX	25
8-35189-5	LOOSE PIECE, SPL	10
8-35189-6	LOOSE PIECE, BAG	10

<b>AMP</b> WIRE RANGE	E13288 Listed
2 AWG SOLID OR STRANDED	2 AWG STRANDED
LR7189 Certified	MILITARY P/N AND CLASS
2 AWG SOLID OR STRANDED	NOT APPLICABLE



- 1 STAMP AMP 2W\* 60-75 APPROX AS SHOWN
- 2 MATERIAL THK: 1.78±0.08 [0.070±0.003]

AMP INCORPORATED CUSTOMER SERVICE SYSTEMS		MAX RECOMMENDED OPERATING TEMPERATURE: 170°C MAX	DO NOT SCALE PRINT. UNLESS SPECIFIED DIMENSIONS IN mm [INCHES] TOLERANCES ON: 2 PLC DEC ± 0.20 [0.008] 3 PLC DEC ± - ANGLES ± -	DR 5/21/93 DK SCHRUM CHK 1/27/94 RD HEIM APPD 1/27/94 RE ROSER APPD 1/27/94 JL MECKLEY PRODUCT SPEC - APPLICATION SPEC - WEIGHT -	35189 PART NO	<b>AMP</b> AMP Incorporated Harrisburg, PA 17105-3608
FOR ADDITIONAL PRODUCT INFORMATION OR COPIES OF DRAWINGS AND TECHNICAL DOCUMENTS	PRODUCT INFORMATION CENTER 1-800-522-6752	VOLTAGE RATING: NOT APPLICABLE	MATERIAL COPPER ASTM B-152 ANNEALED	NAME SPLICE, BUTT, SOLISTRAND™	SIZE B	CAGE CODE 00779
FOR APPLICATION TOOLING INFORMATION	TOOLING ASSISTANCE CENTER 1-800-722-1111	CIRCULAR MIL AREA: 26.7-42.4mm² [52,600-83,700] CIR MILS SOLID OR STRANDED	FINISH TIN PLATE 0.00254 [0.000100] MIN THK PER MIL-T-10727	DRAWING NO C-35189	SCALE 2:1	SHEET 1 OF 1
FOR ORDER ENTRY	1-800-526-5142	THIS DRAWING IS A CONTROLLED DOCUMENT FOR AMP INCORPORATED. IT IS SUBJECT TO CHANGE AND THE CONTROLLING ENGINEERING ORGANIZATION SHOULD BE CONTACTED FOR THE LATEST REVISION.				