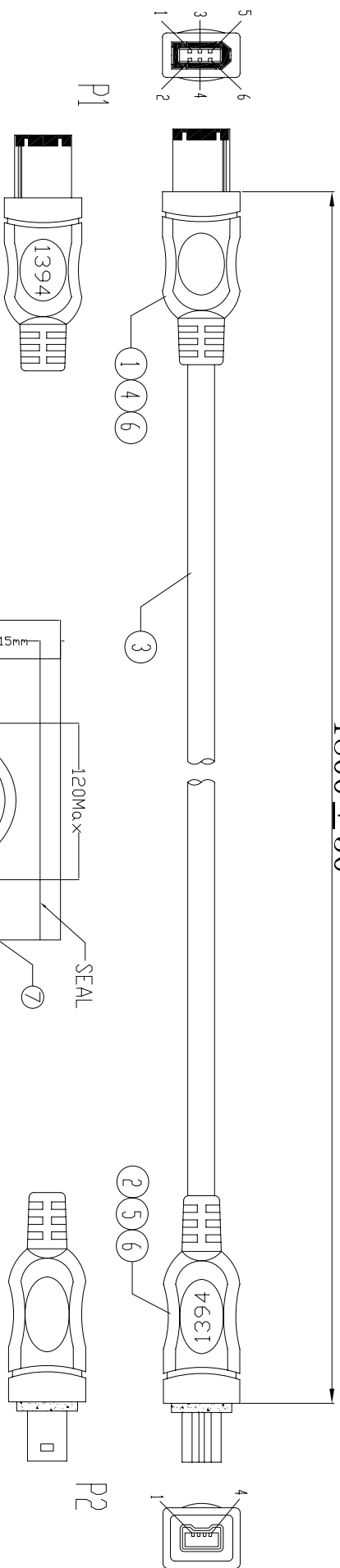
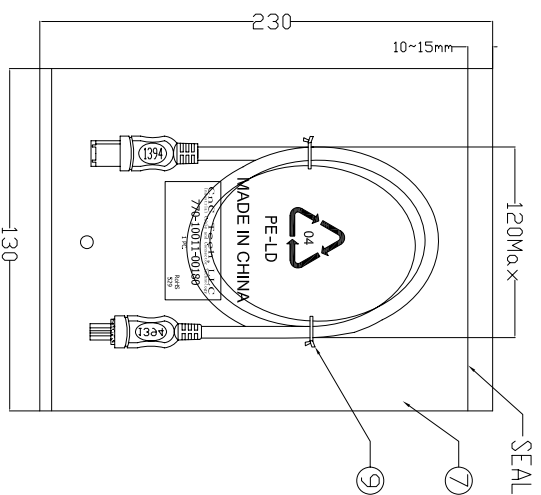
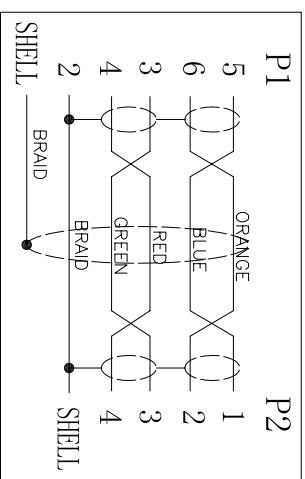


UNIT:MM

1800±50



PIN ASSIGNMENT



|     |            |      |  |
|-----|------------|------|--|
| ⑨   | TIE        | 2    | BLACK L=80mm   |
| ⑧   | PE BAG     | 1/10 | CLEAR SIZE: 280*330*0.05mm PRINT BLACK"MADE IN CHINA"+ "10PCS"及印生产周期,有透气孔. |
| ⑦   | PE BAG     | 1    | CLEAR SIZE: 130*230*0.05mm PRINT BLACK"MADE IN CHINA"+ "1PC"及印生产周期,有透气孔.   |
| ⑥   | TUBE       | 2    | HEAT SHRINK TUBE BLACK OD1.5*10MM  |
| ⑤   | OUT JACKET | 4g   | BLACK 40P PVC (MOULD NO.:WM-37)  |
| ④   | OUT JACKET | 5g   | BLACK 40P PVC (MOULD NO.:WM-38)  |
| ③   | CABLE      | 1    | UL20276 (30AWG/1P+AB)*2C+AL/MY+B JACKET BLACK OD4.8mm L=1800+20/-0mm       |
| ②   | CONN       | 1    | IEEE 1394 4P MALE PIN G/F INSULATION BLACK SHIELD NICKEL PLATED            |
| ①   | CONN       | 1    | IEEE 1394 6P MALE PIN G/F INSULATION BLACK SHIELD NICKEL PLATED            |
| NO. | NAME       | QTY  | SPECIFICATION  |

**CNC Tech, LLC**  
Industrial Cable and Connector Technology

|                  |         |             |                 |
|------------------|---------|-------------|-----------------|
| DRAWN BY         | ZHONGHS | DRAWING NO. |                 |
| CHECKED BY       |         | CUSTOMER    |                 |
| APPROVAL BY      |         | ITEM NO.    | 770-10011-00180 |
| DECIDE BY        |         | DATE        | 2012-02-06      |
| VERSIONS/EDITION | A/0     | PROJECTION  |                 |

