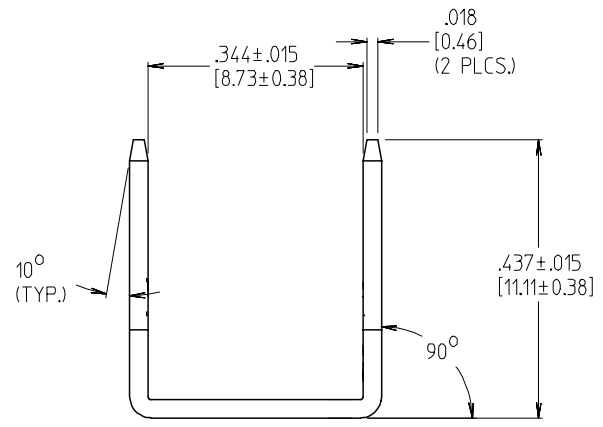
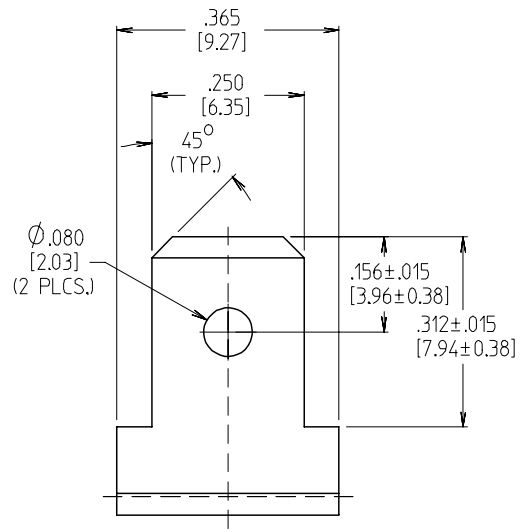
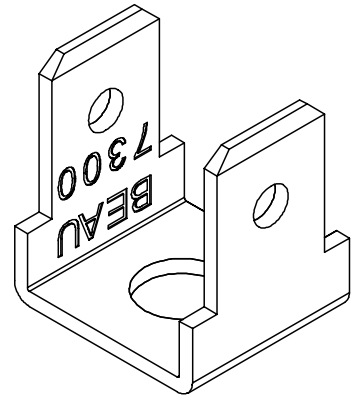
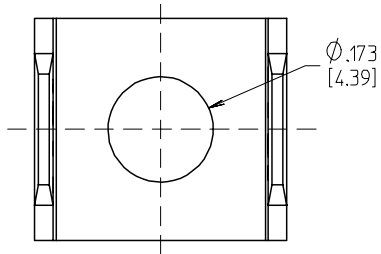


MATERIAL NO.	ENGINEERING NO.	DESCRIPTION
380021009	7304-0701-A110	PART AS FORMED
380021010	7312	PART AFTER FINISH



- NOTES:
1. MATERIAL: BRASS
 2. FINISH: TIN OVER COPPER PLATED
 3. PART IS ROHS COMPLIANT.

INITIAL RELEASE EC NO: ETC2007-0073 DRW: NEHLE 2006/09/28 CHKD: JMACNEIL 2006/09/28 APPR: JMACNEIL 2006/09/29	QUALITY SYMBOLS ▽=0 ▽=0	GENERAL TOLERANCES (UNLESS SPECIFIED)		DIMENSION STYLE IN/MM	SCALE 5:1	DESIGN UNITS INCH	THIRD ANGLE PROJECTION
		4 PLACES ± --- ± ---	DRAWN BY EHILE	DATE 2006/08/18	TITLE TERMINAL, FT, VRVR		
		3 PLACES ± --- ± .005	CHECKED BY JMACNEIL	DATE 2006/08/18	MOLEX INCORPORATED		
		2 PLACES ± 0.13 ± .01 1 PLACE ± 0.3 ± --- ANGULAR ± 1 °	APPROVED BY RDEROSS	DATE 2006/08/18	MATERIAL NO. SEE CHART	DOCUMENT NO. SD-38002-050	SHEET NO. 1 OF 1
DRAFT WHERE APPLICABLE MUST REMAIN WITHIN DIMENSIONS		THIS DRAWING CONTAINS INFORMATION THAT IS PROPRIETARY TO MOLEX INCORPORATED AND SHOULD NOT BE USED WITHOUT WRITTEN PERMISSION					