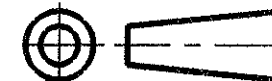


DO NOT SCALE
DIMENSIONS IN mm

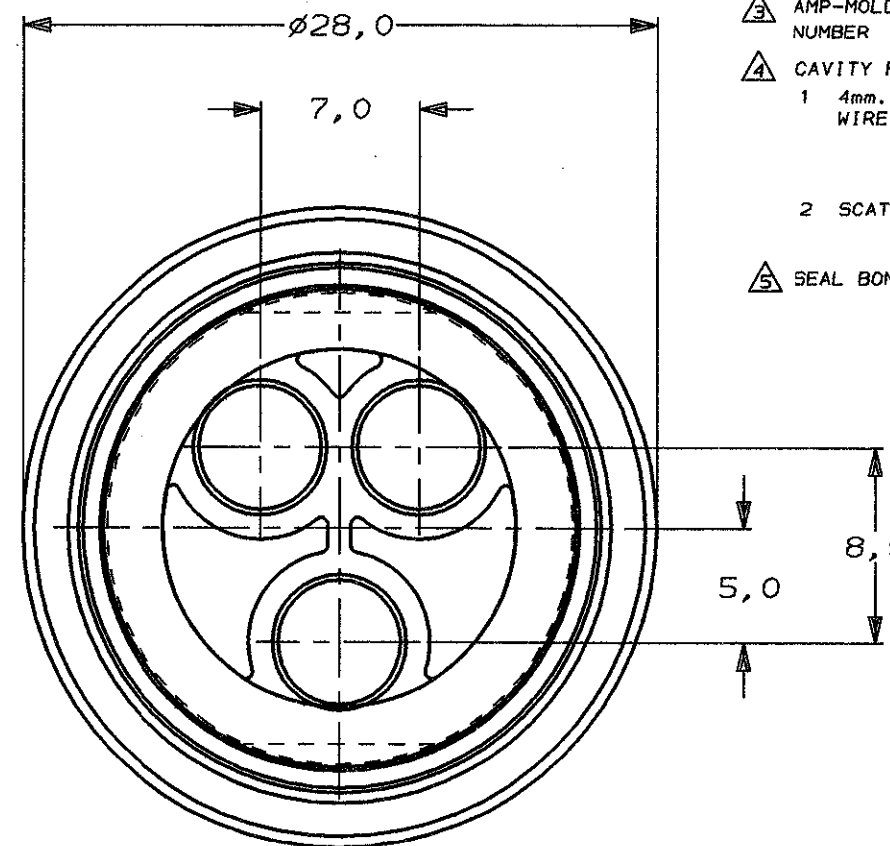
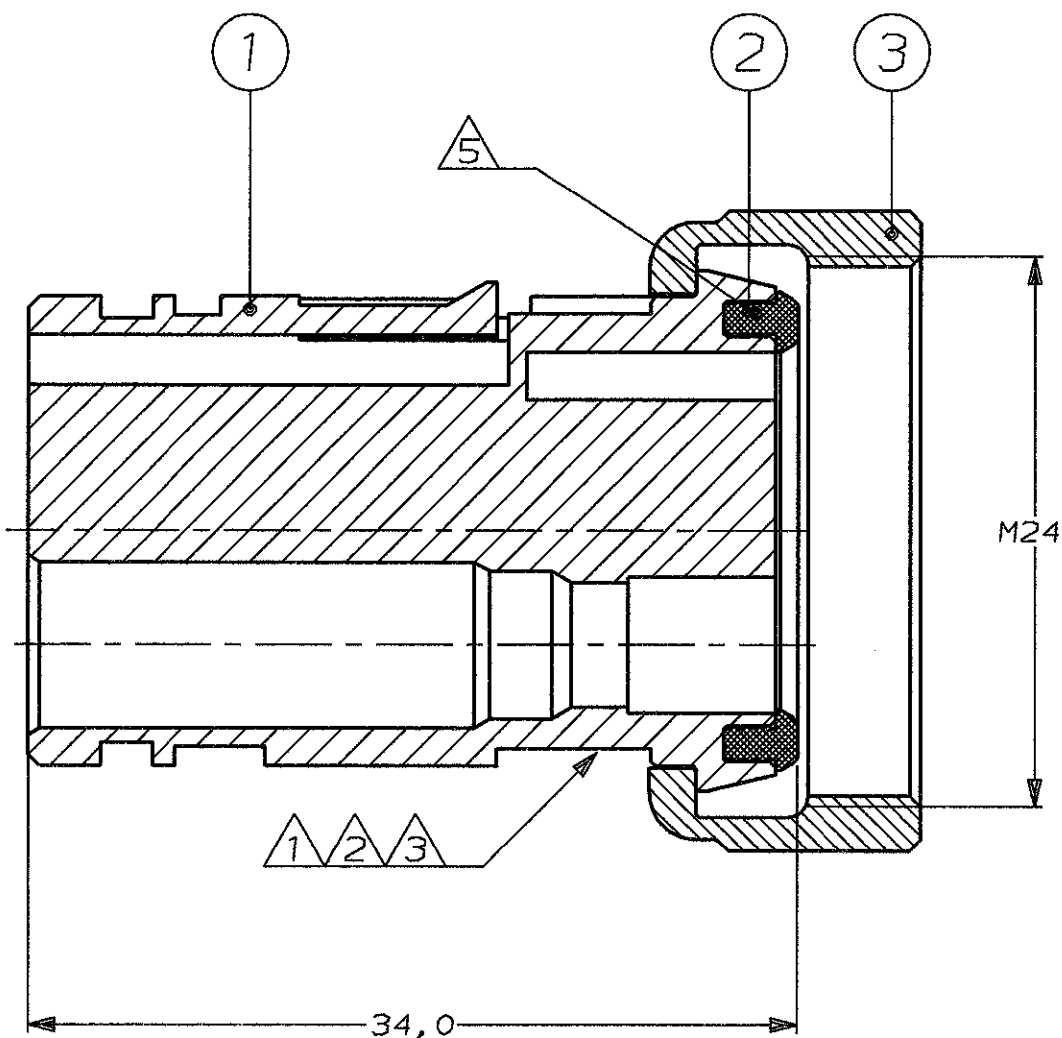
METRIC

THIRD ANGLE
PROJECTION



NOTES:

- ① AMP-TRADEMARK PER SPEC.
- ② AMP-IDENTIFICATION NUMBER ACC. DIN 1451 MITTLESCHR. HEIGHT 1,2
- ③ AMP-MOLD IDENTIFICATION NUMBER
- ④ CAVITY FOR,
 - 1 4mm. SOCKET CONTACT WIRE SIZE 0,5-4mm² SEE DRAWING NR.962952-1 NR.962954-1 NR.962956-1
 - 2 SCAT SEE DRAWING NR.963243-1 NR.963244-1
- ⑤ SEAL BONDED IN INSERT.



-1 AS SHOWN

MATERIAL	DESCRIPTION	PARTNUMBER	ITEM
BRASS	NUT M24	100296-1	3
SILICON RUBBER	SEALING RING	100294-1	2
PBT	3-POS. HOUSING	100289-1	1

-					CUSTOMER DRAWING		FOR REFERENCE ONLY WILL NOT BE UPDATED	
-					© COPYRIGHT 19-		BY AMP HOLLAND B.V.	
-					ALL INTERNATIONAL RIGHTS RESERVED.		AMP PRODUCTS MAY BE COVERED BY U.S. AND FOREIGN AND/OR PATENTS PENDING.	
-					THIS DRAWING IS UNPUBLISHED		RELEASED FOR PUBLICATION	
B	EH-0896-93	DK	RotB	18-11-93	AMP HOLLAND B.V. 's-Hertogenbosch, The Netherlands.			
A	H-9765	LvdH	RotB	13 MAY '92				
O	H-9527	JvL	RotB	10-02-92				
LTR.	REVISION RECORD	DR.	CHK.	DATE	NAME		ASSY 3 POS HOUSING FOR 4mm. SOCKET CONTACT M24 VERSION	
DR.:	J.v.LIEMPT.	CHK.:	R.o.t.BERG.	APP.:	L.v.SOEST.	DWG.No.	REV.LTR.	SHEET
DATE:	10 FEB. 1992	DATE:	-	DATE:	24/1/93	C-100285	B	1 OF 1