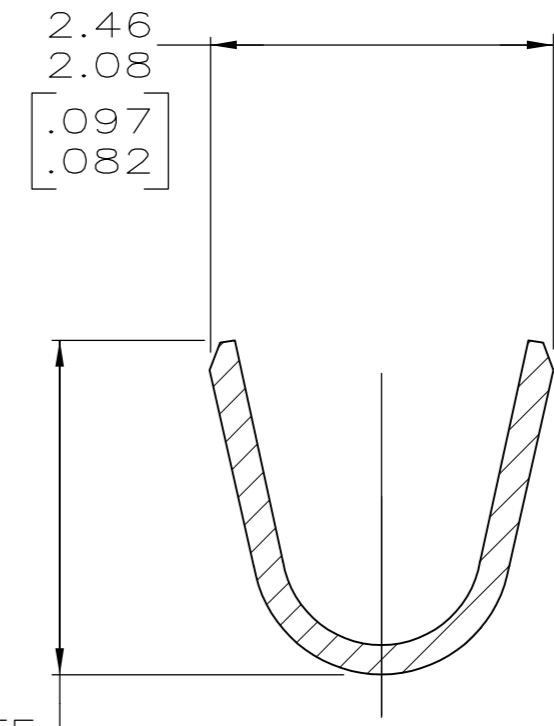
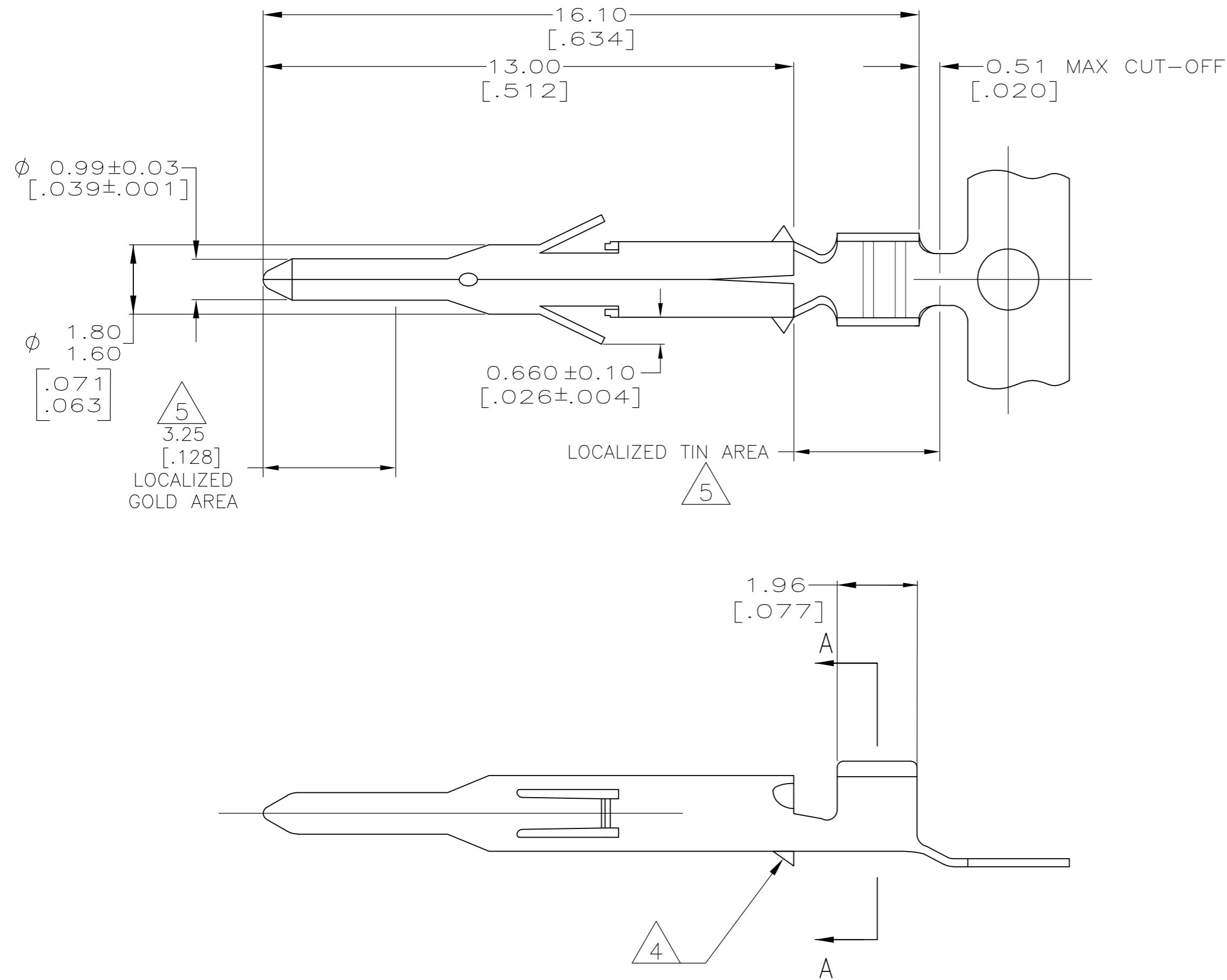


THIS DRAWING IS UNPUBLISHED. RELEASED FOR PUBLICATION  
 © COPYRIGHT - By - ALL RIGHTS RESERVED.

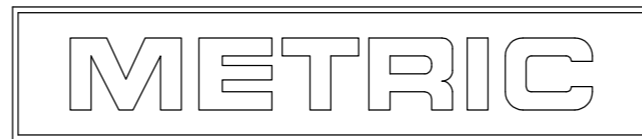
LOC	DIST	REVISIONS					
CM	00	P	LTR	DESCRIPTION	DATE	DWN	APVD
		H		ECO-13-000901	08MAR2013	MGT	R.P

- 1 WIRE RANGE: 0.3 - 0.9MM<sup>2</sup> (22-18 AWG).
- 2 INSULATION RANGE: 1.50-2.40[.060-.094] DIA.
- 3 DIMENSIONS IN BRACKETS ARE IN INCHES.
- 4 BOTTOM CONTACT STOP IS OPTIONAL CONSTRUCTION.
- 5 0.000762 [.000030] MIN GOLD IN LOCALIZED GOLD PLATE AREA AND 0.00254 [.000100] MIN BRIGHT TIN LOCALIZED TIN PLATE AREA OVER 0.00127 [.000050] MIN NICKEL.



SECTION A-A  
SCALE 20:1

5	0.20 [.008] BRASS	794440-3
NONE	0.20 [.008] BRASS	794440-2
PRE-TIN	0.20 [.008] BRASS	794440-1
FINISH	MATERIAL	PART NO



THIS DRAWING IS A CONTROLLED DOCUMENT.		DWN K. WHITAKER 20FEB2004	TE Connectivity	
DIMENSIONS: mm [INCHES]	TOLERANCES UNLESS OTHERWISE SPECIFIED:	CHK C. JONES 20FEB04	NAME PIN, UNIVERSAL MATE-N-LOK	
	0 PLC ± -	APVD C. JONES 20FEB04	SIZE	RESTRICTED TO
	1 PLC ± -	PRODUCT SPEC	CAGE CODE	
	2 PLC ± 0.13 [.005]	APPLICATION SPEC	DRAWING NO	
	3 PLC ± -		WEIGHT	
	4 PLC ± -		SCALE	
	ANGLES ± 0°30'		SHEET	
MATERIAL SEE TABLE	FINISH SEE TABLE	WEIGHT -	REV	
CUSTOMER DRAWING		SCALE 10:1	SHEET 1 of 1	REV H