

4

3

2

1

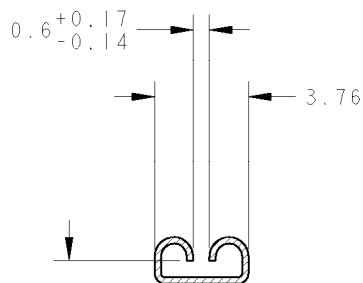
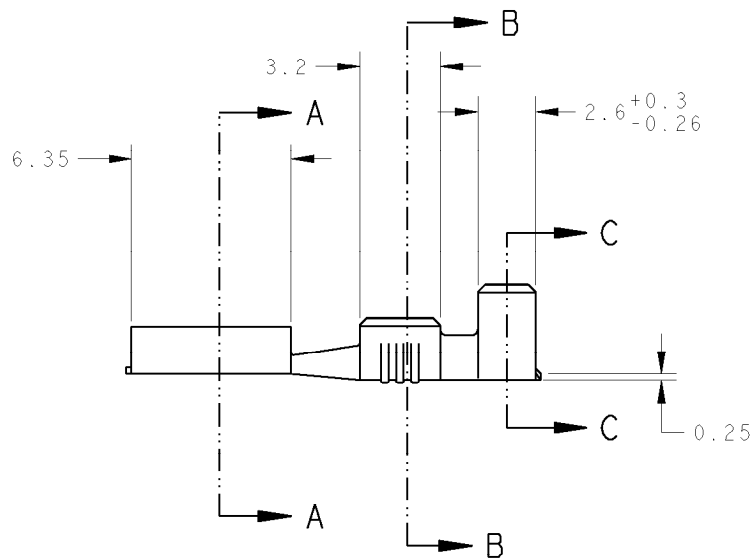
THIS DRAWING IS UNPUBLISHED.
DIFFUSION RESTREINTE AMP

RELEASED FOR PUBLICATION
LIBRE A LA DIFFUSION 20

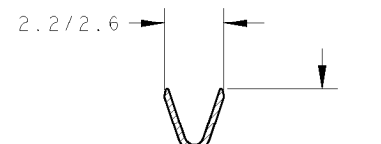
© COPYRIGHT BY

ALL RIGHTS RESERVED.
TOUS DROITS RESERVES

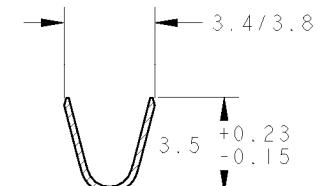
LOC	DIST	REVISIONS			
P	LTR REV	DESCRIPTION MODIFICATIONS	DATE	DWN DESS.	APVD APP.
F	7	S2	PN140719-1 OBSOLETE	31DEC2012	PKS RRP



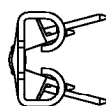
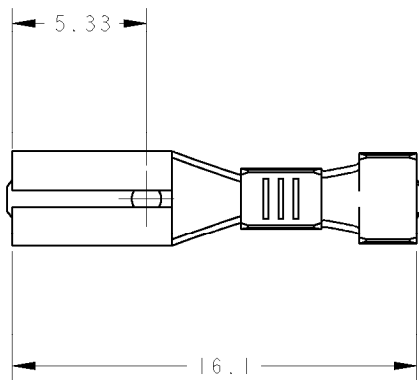
Entre fer pour languette 2.8 x 0.5
(Gap for tab 2.8 x 0.5 series)
COUPE A-A



COUPE B-B



COUPE C-C



1.5 2.5	0.3 1	0.5	DORE	LAITON	141286-3	140719-3	140717-4
1.5 2.5	0.3 1	0.5	ARGENTE	LAITON	-	140719-4	140717-3
1.5 2.5	0.3 1	0.5	PRE-ETAME	LAITON	141286-2	140719-2	140717-2
1.5 2.5	0.3 1	0.5	BRUT	LAITON	141286-1	140719-1	140717-1
DIA. ISOLANT	SECTION mm ²	Ep. TAB	FINITION	MATIERE	REFERENCE VRAC PREFORME	REFERENCE VRAC	REFERENCE

1 PRODUIT LIVRE EN BANDE: PAS 17.9±0.1
CONTINUOUS STRIP ON REEL: FEED 17.9±0.1

DIMENSIONS: mm		TOLERANCES UNLESS OTHERWISE SPECIFIED: TOLERANCES NON SPECIFIEES (SUIV. NR DE DECIMALES): ± ± ±0.13 ± ±		DWN/DESSINE 27MAR2001 C. COMBEDOUZON CHK/VERIFIE 02APR2001 V. FONDREVELLE APVD/APPROUVE 02APR2001 G. ROBERT		STE TE Connectivity	
MATERIAL/MATIERE v. table		FINISH/FINITION v. table		PRODUCT SPEC SPEC. PRODUIT		NAME TITRE	
APPLICATION SPEC SPEC. APPLICATION 114-35000		WEIGHT MASSE APPROX. -		SIZE FORMAT A3		CAGE CODE 00779	
CUSTOMER DRAWING /PLAN CLIENT		UNIFORMEMENT POUR REFERENCE		DRAWING NO No PLAN C-140717		RESTRICTED TO RESERVE A -	
				SCALE ECHELLE 5:1		SHEET FEUILLE OF DE REV S2	